

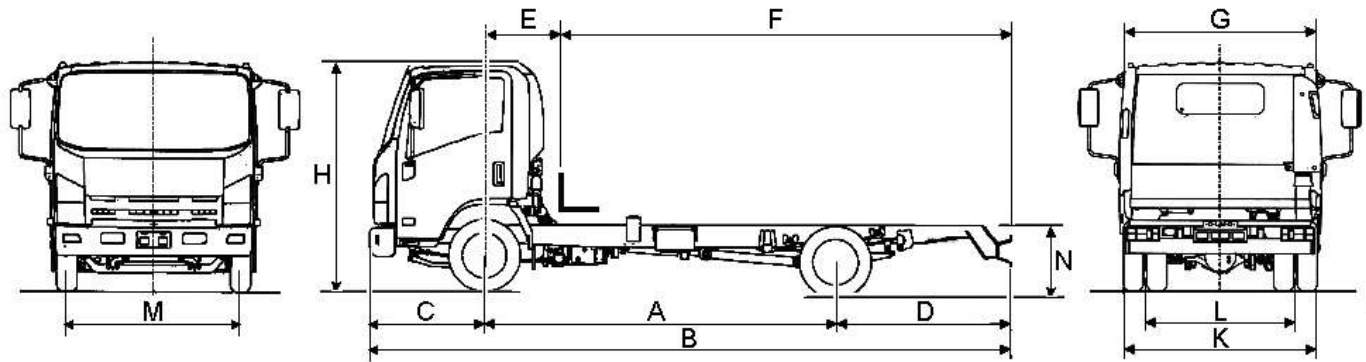
ISUZU

EURO 6b



www.isuzu.com.tr

3.5T N-SERIES LIGHT DUTY TRUCK

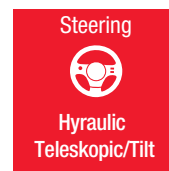


TECHNICAL SPECIFICATIONS	NLR	NLR LONG	N-WIDE	N-WIDE LONG
DIMENSIONS (mm)				
A - Wheelbase	2480	3350	2800	3395
B - Maximum Length	4825	6130	5392	6224
C - Front Overhang	1110		1119	
D - Rear Overhang	1235	1670	1473	1710
E - Front Axle Body Start Point Distance	710		710	
F - Usable Frame Length ¹	3005	4310	3563	4395
G - Body Width	1815		2040	
H - Maximum Height	2150		2215	
K - Rear Axle Width	1855		1915	
L - Rear Track Width	1425		1485	
M - Front Track Width	1475		1680	
N - Chassis Height	740	780	800	800
Chassis Width	700		750	
WEIGTS (kg)				
Gross Vehicle Weight, GVW	3500			
Kerb Weight ²	1907	1943	2052	2112
Payload	1593	1557	1448	1388
Front Axle Capacity	1900			
Rear Axle Capacity	2200			
ENGINE				
Model	ISUZU RZ4E-TC - EURO6b			
Maximum Net Power	123 PS (90 kW) @ 3200rpm			
Maximum Net Torque	320Nm @ 1600-2000rpm			
Number of Cylinders, Engine displacement	4 cylinder, 1898 cc			
Type	Commonrail Turbo Diesel Intercooler			
TRANSMISSION				
Model	ISUZU MVC6W			
Type, Number of Gears	Manual, 6 forward – 1 reverse			
Final Gear Ratio	4,777			

1. Convenient body lengths must be checked by body builders for each vehicle.

2. Kerb weights include driver! (75 kg), all liquids are full, fuel tank %90 fuel. Kerb weights can be changed by options.

TECHNICAL SPECIFICATIONS	NLR	NLR LONG	N-WIDE	N-WIDE LONG
PERFORMANCE				
Maximum Speed (km/h)	125		120	
Gradeability (%)	29			
Turning Radius (mm)	5070	6590	5795	6350
SUSPENSION SYSTEM				
Front Suspension	Leaf Spring, shock absorber			
Rear Suspension	Leaf Spring, shock absorber			
BRAKE SYSTEM				
Front	Disc Brake Ø293mm x 40mm			
Rear	Disc Brake Ø275mm x 30mm			
Brake System	ABS, ASR, ESC, Hydraulic brake system, Auto brake adjustment			
Auxiliary Brake	Manually operated at gearbox out			
ELECTRICAL SYSTEM				
Battery	1x12 - 68 Ah			
Generator	12Vx90A			
Starter	12Vx1,6 kW			
TYRES				
Front/Rear Tyres	195/75 R16C			
Fuel Tank	70			90
Passenger Capacity	1 Driver + 2 Passengers			
Clutch	Hydraulic Assisted			
Steering	Hydraulic, telescopic /tilt Ø410mm			



EQUIPMENTS	
ABS, ASR, ESC	S
Hydraulic Steering	S
Immobiliser	S
Steering Lock	S
Day Lights	S
Fog Lights	S
AM/FM CD Player Radio	S
Adjustable Driver Seat	S
Heated and Electrical Side Mirrors	S
Electric Headlight Leveling	S
Remote Control Central Lock	S

EQUIPMENTS	
EGR (Exhaust Gas Recirculation)	S
Dry Type Air Filter	S
Seat Belts - 3 Units	S
Two level opening doors	S
Locking Fuel Cap	S
Overhead Bin	S
Seat Back Tray	N-WIDE
Cupholder	S
Towing Hood (Front)	S
Air Conditioning	0
Spare Tire	0



March 2019

Anadolu Isuzu Otomotiv Sanayi ve Ticaret A.Ş. Reserves the right to change technical specifications of the products and equipments without prior notice
Technical drawings represented in catalog are for information purposes only.
The actual vehicle body color may differ from the colors in the photographs printed in this catalog.



ANADOLU ISUZU Otomotiv Sanayi ve Ticaret A.Ş.
Şekerpınar Mah. Otomotiv Cad. No:2 41435 Çayırova / Kocaeli - Turkey
Tel: +90 (850) 200 19 00 Fax: +90 262 658 85 69
www.isuzu.com.tr isuzu@isuzu.com.tr